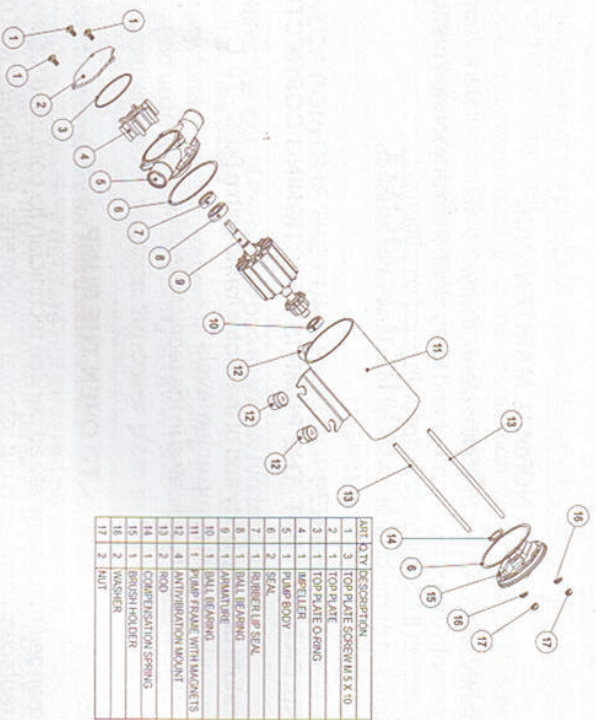
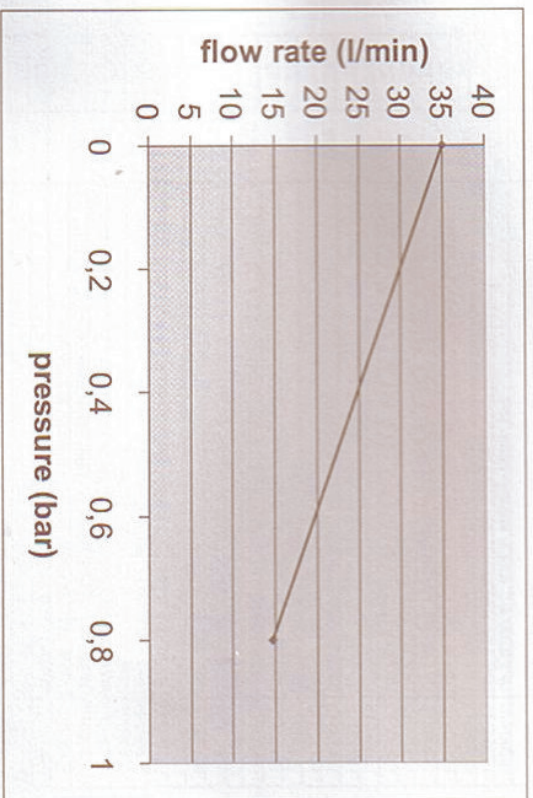


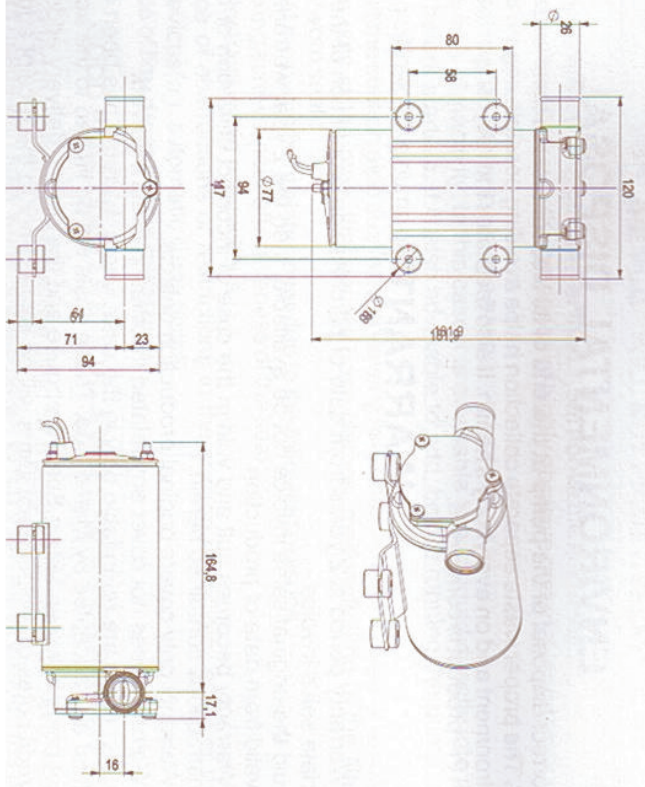
O EXPLODED VIEW



FLOW RATE DIAGRAM



P DIMENSIONS



AMPERE-DRAW DIAGRAM

